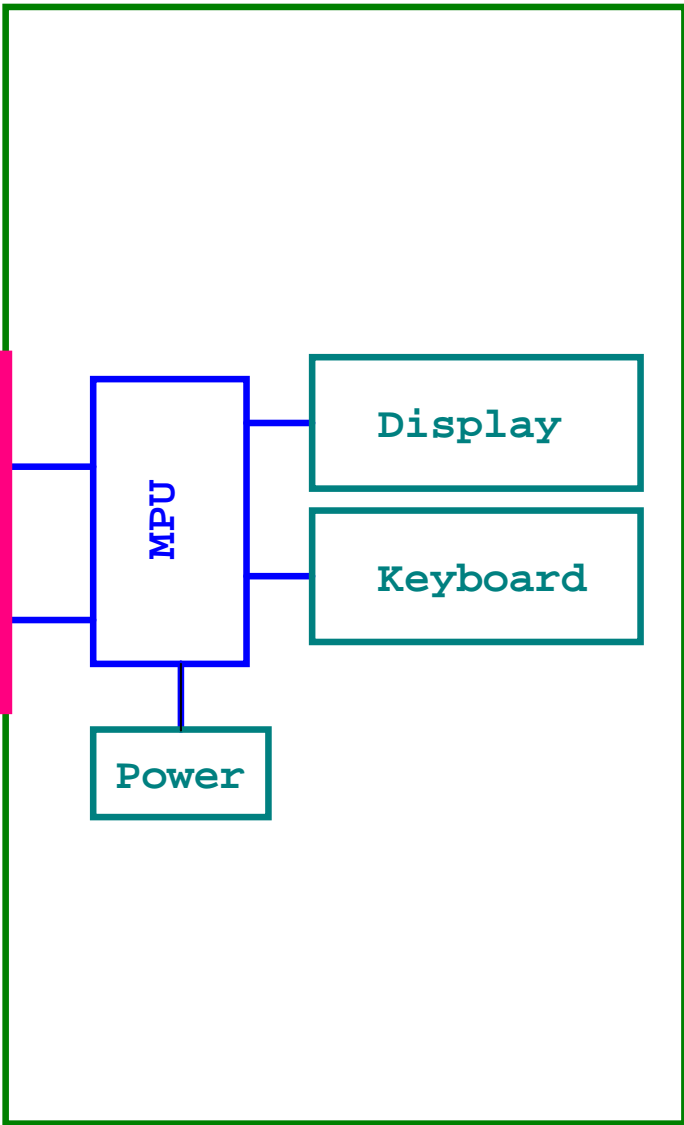


**VOIP MODULE
KM(Kernel Module)**

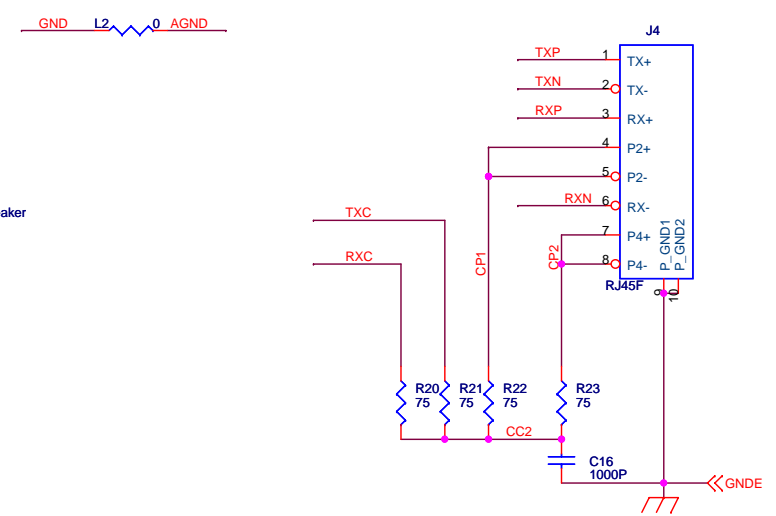
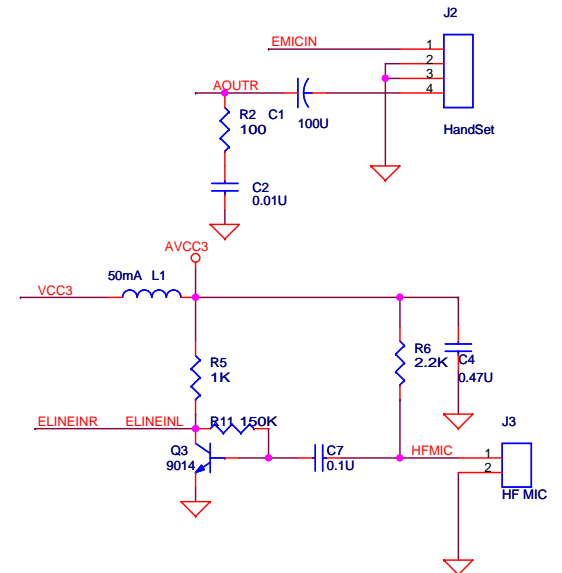
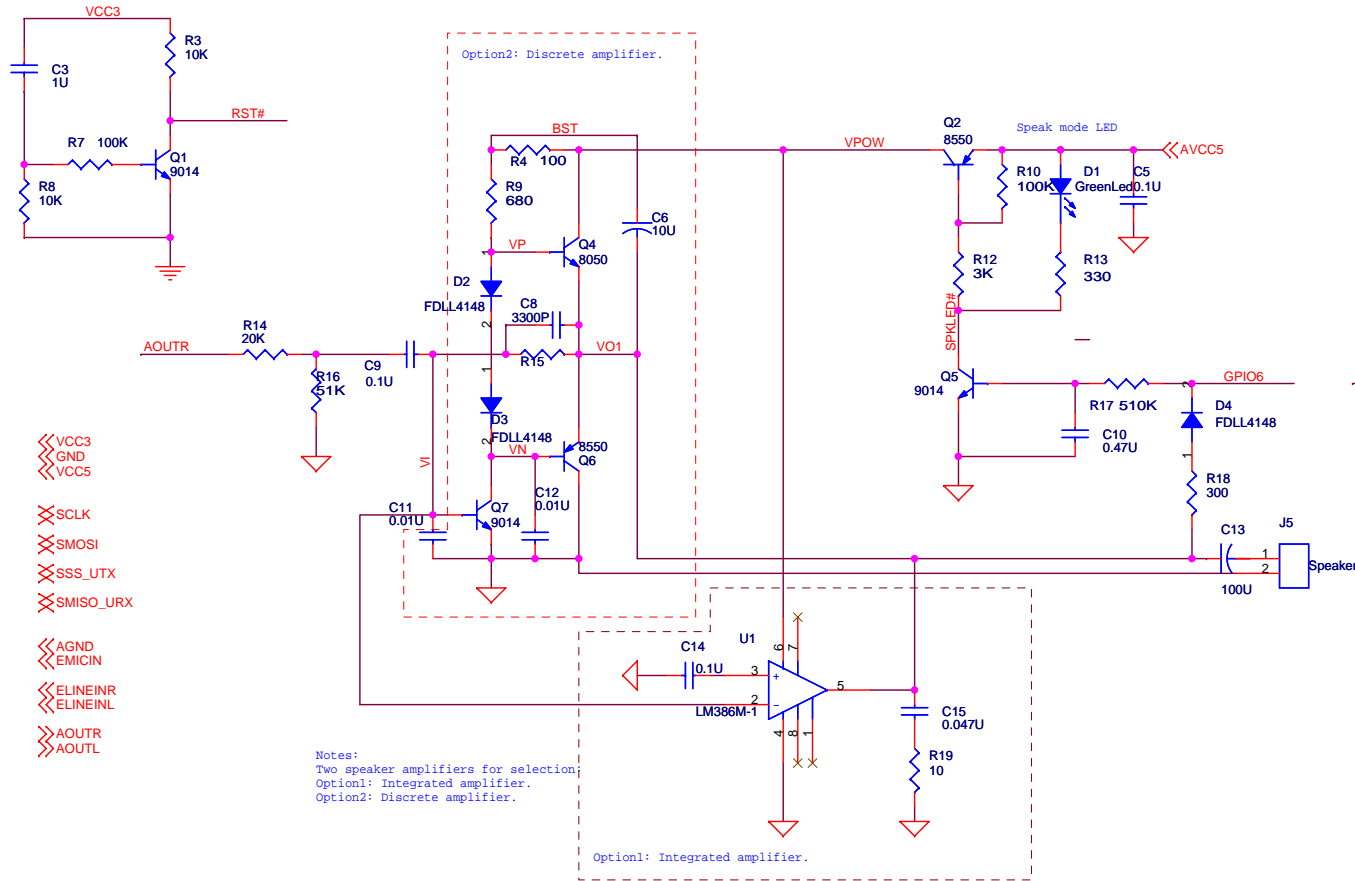
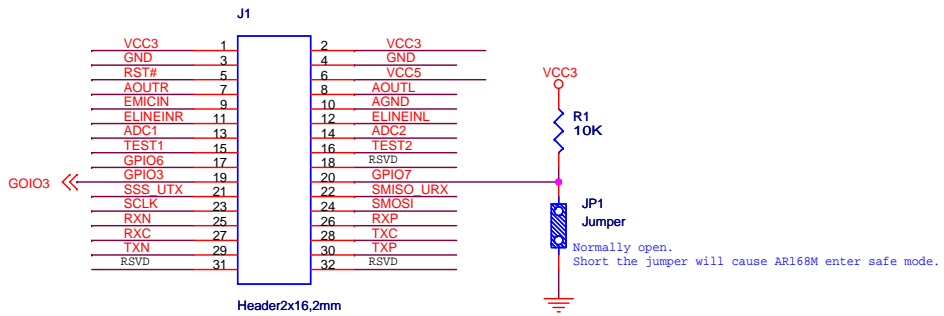


**External peripheral
UI(User Interface)**



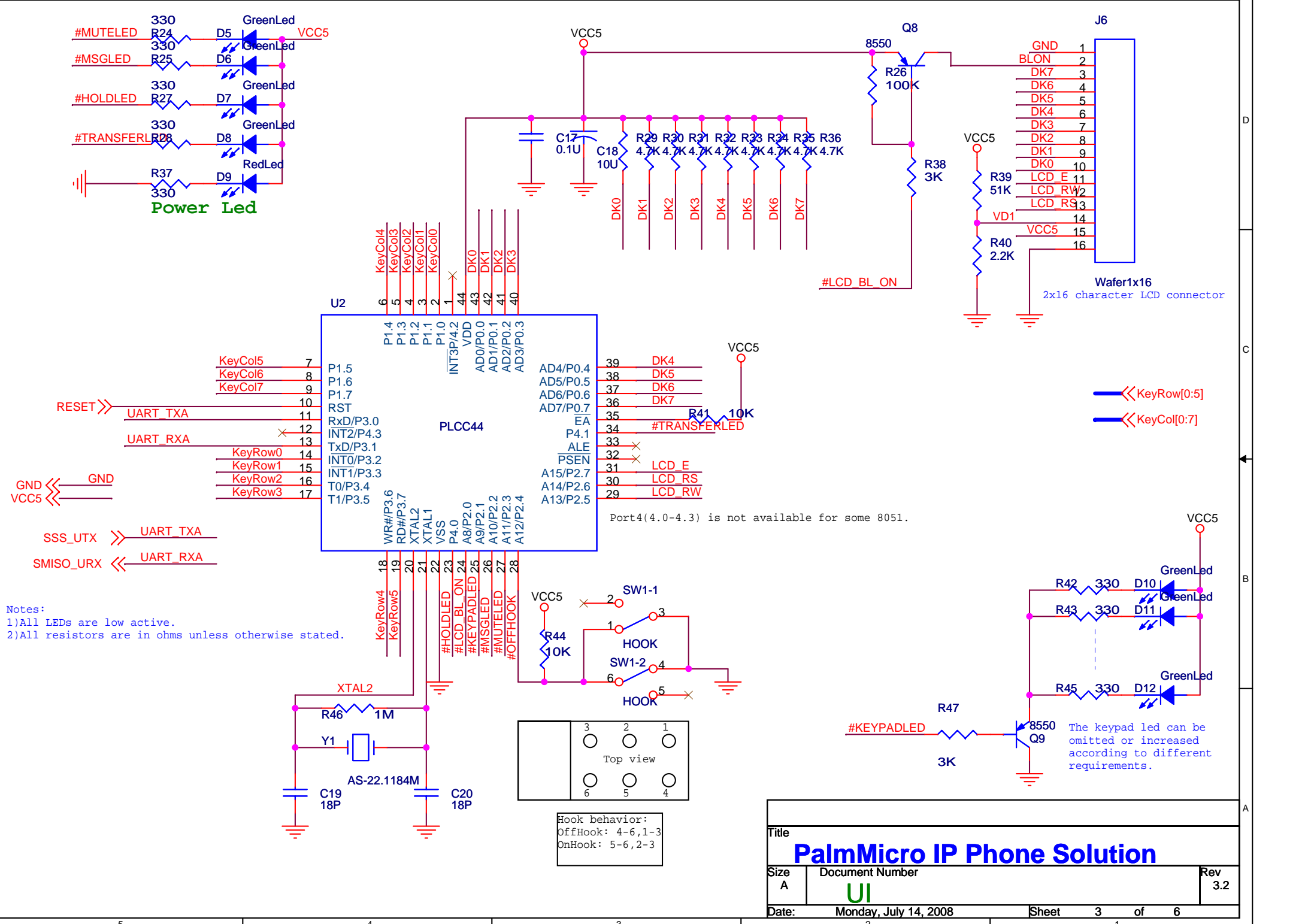
<Variant Name>

Title		
PalmMicro IP Phone Solution		
Size	Document Number	Rev
A	Block Diagram	3.20
Date:	Friday, July 04, 2008	Sheet 1 of 6



<Variant Name>

Title PalmMicro IP Phone Solution		
Size B	Document Number Connector	Rev 3.2
Date Friday, July 04, 2008	Sheet 2	of 6

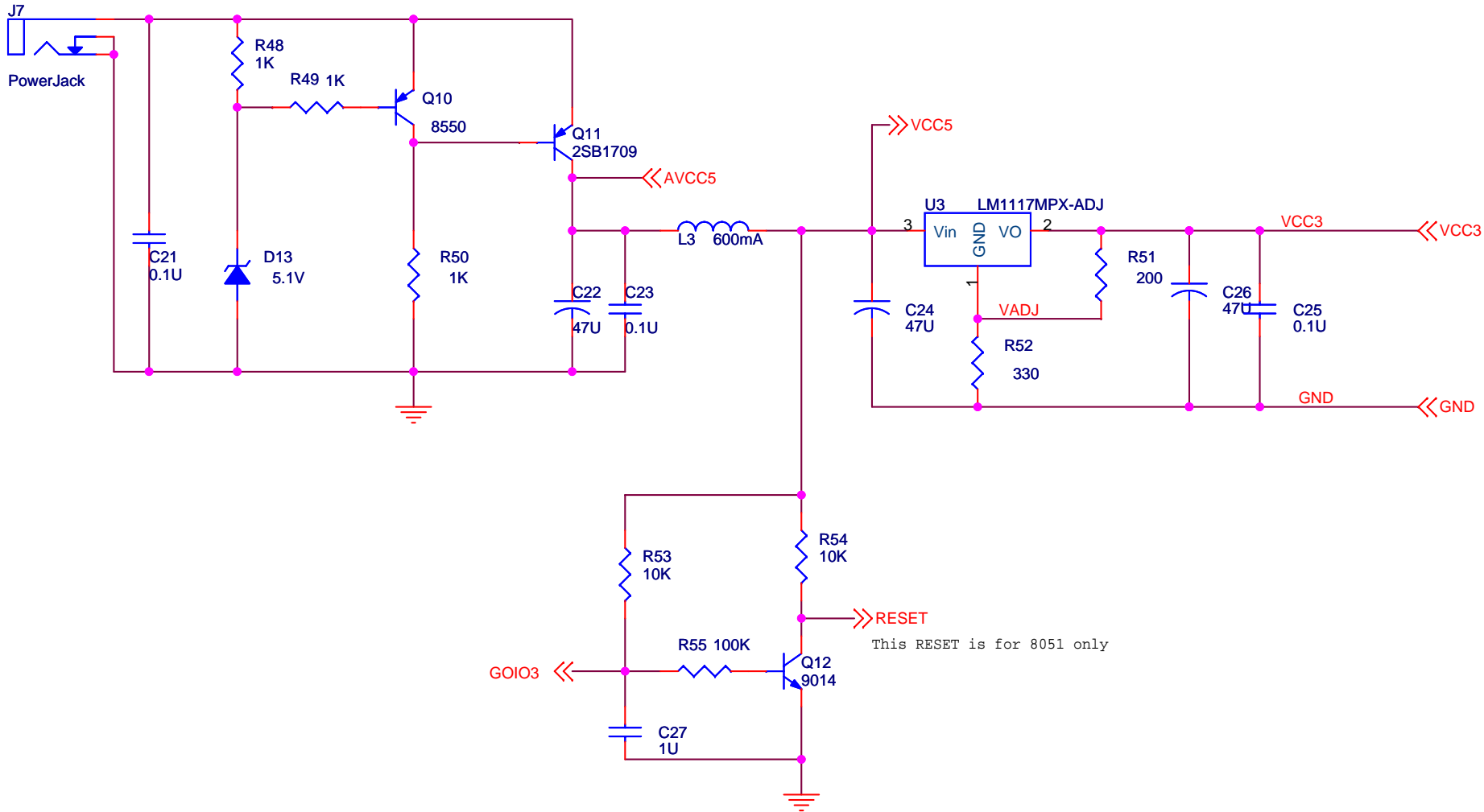


Notes:
 1) All LEDs are low active.
 2) All resistors are in ohms unless otherwise stated.

Hook behavior:
 OffHook: 4-6, 1-3
 OnHook: 5-6, 2-3

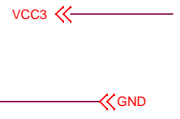
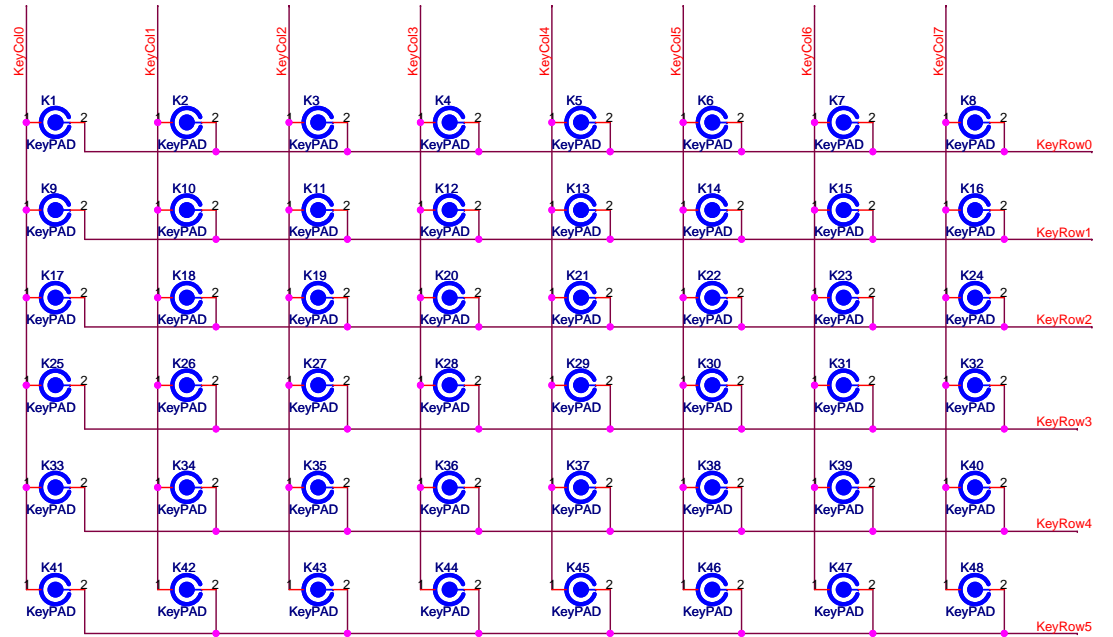
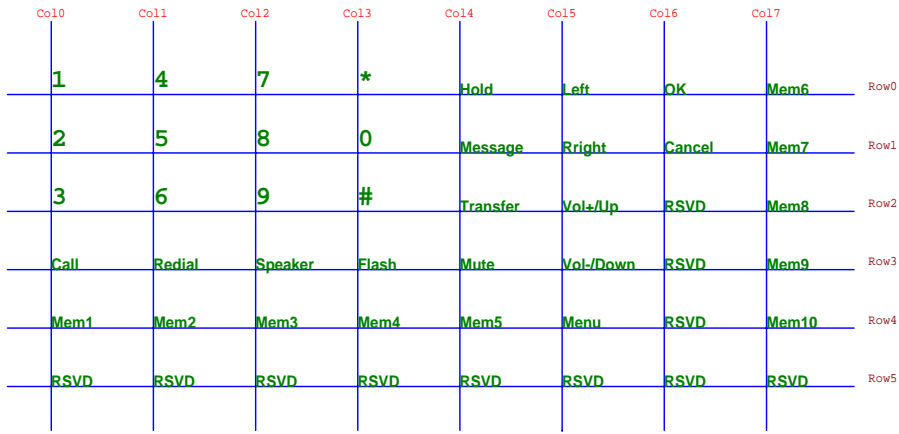
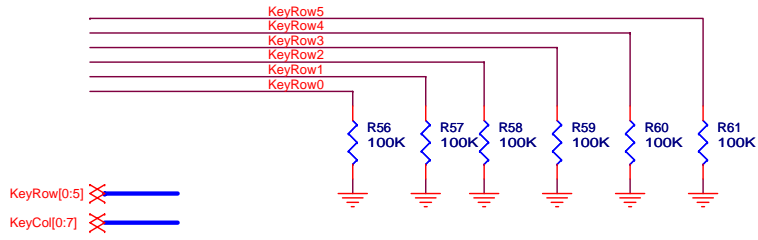
The keypad led can be omitted or increased according to different requirements.

Title		
PalmMicro IP Phone Solution		
Size	Document Number	Rev
A	UI	3.2
Date:	Monday, July 14, 2008	Sheet 3 of 6



<Variant Name>

Title		
PalmMicro IP Phone Solution		
Size	Document Number	Rev
A	Power and Reset	3.20
Date:	Friday, July 04, 2008	Sheet 4 of 6



<Variant Name>		
Title PalmMicro IP Phone Solution		
Size B	Document Number Keypad	Rev 3.20
Date: Friday, July 04, 2008	Sheet 5	of 6

