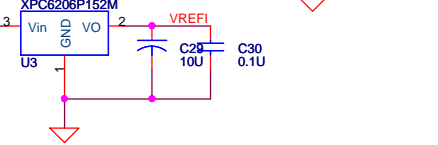
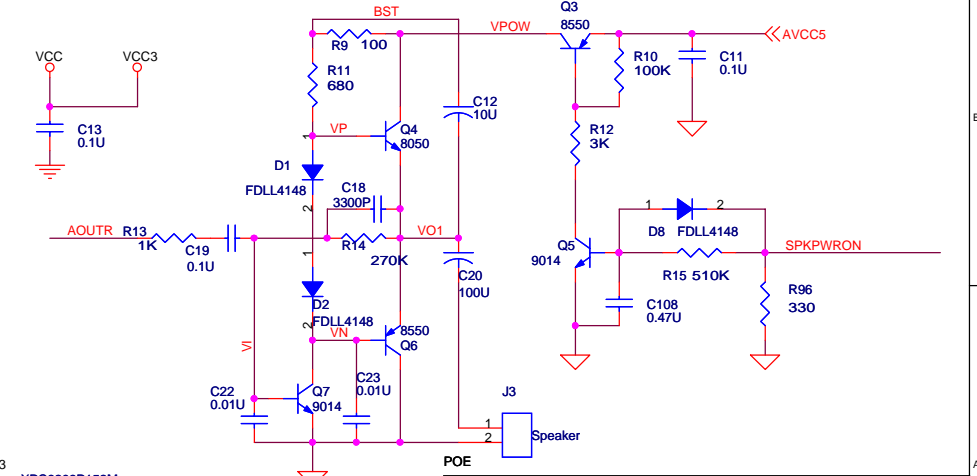
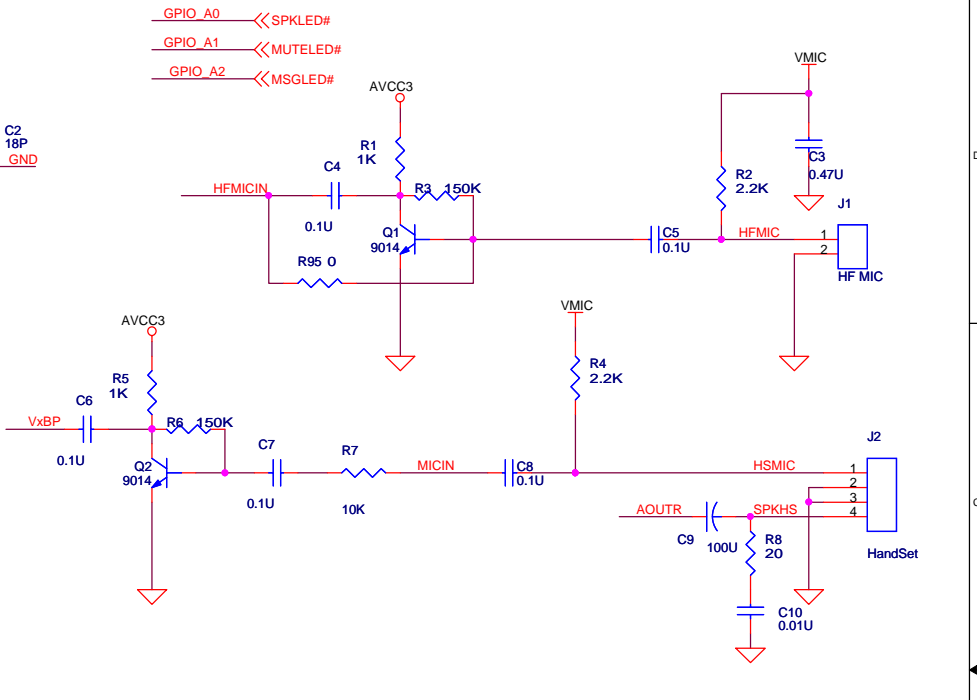
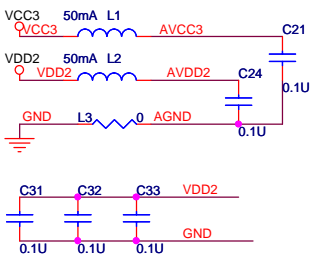
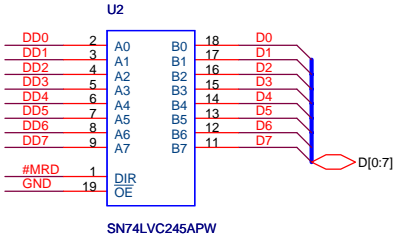
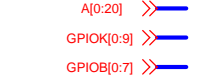
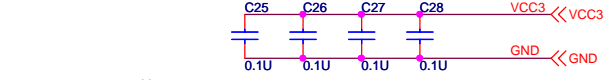
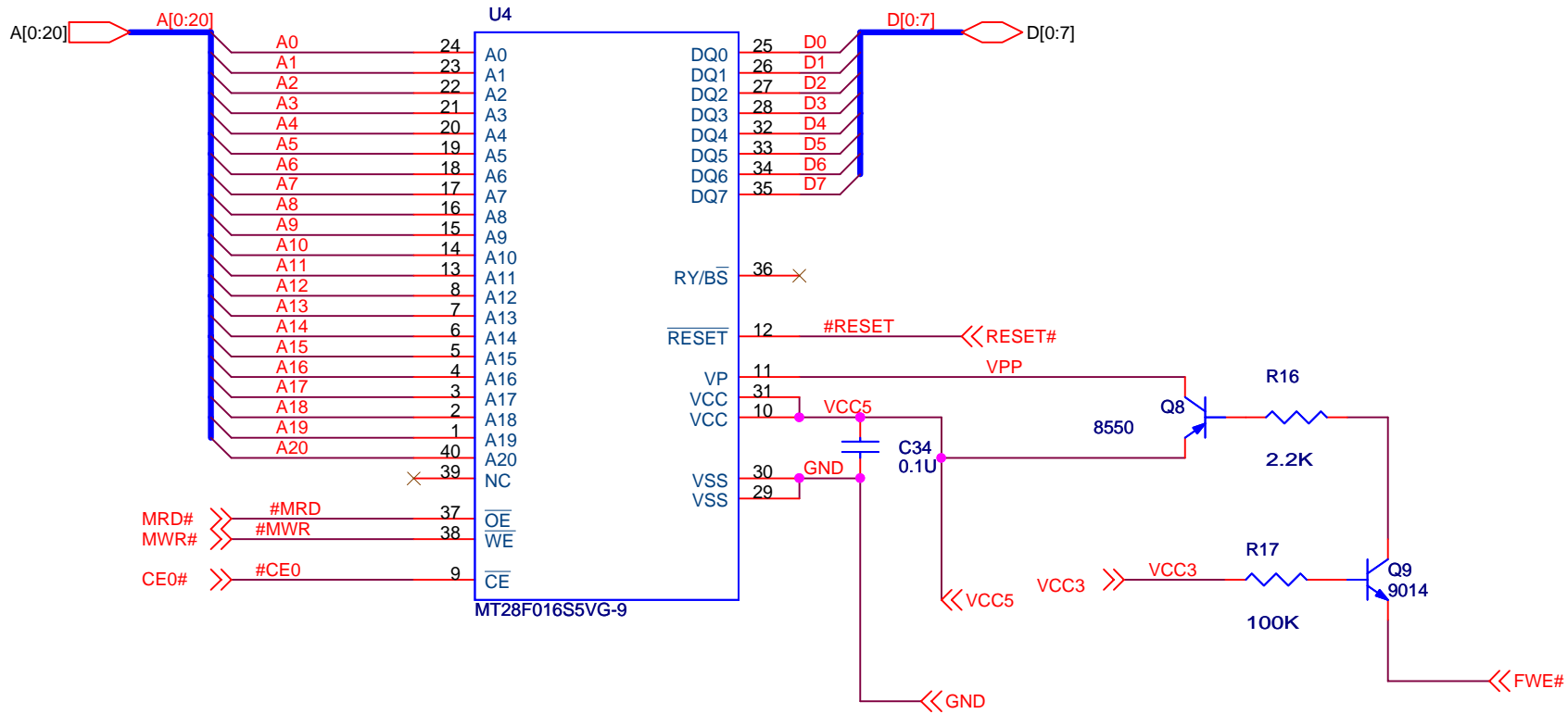


- HOLDLED# << #HOLD
- BACKLIGHTON# << #BLON
- EIRQ << EIRQ
- CE1# << #CE1
- ETH_RST << ETH_RST
- MWR# << #MWR
- MRD# << #MRD
- CE0# << #CE0
- FWE# << #FWE
- CE2# << #CE2
- TRANSLED# << #TRANSLED

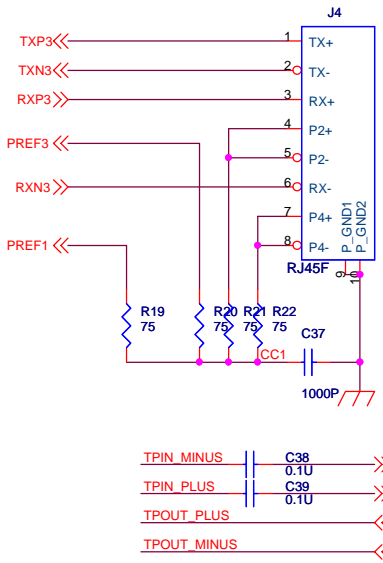
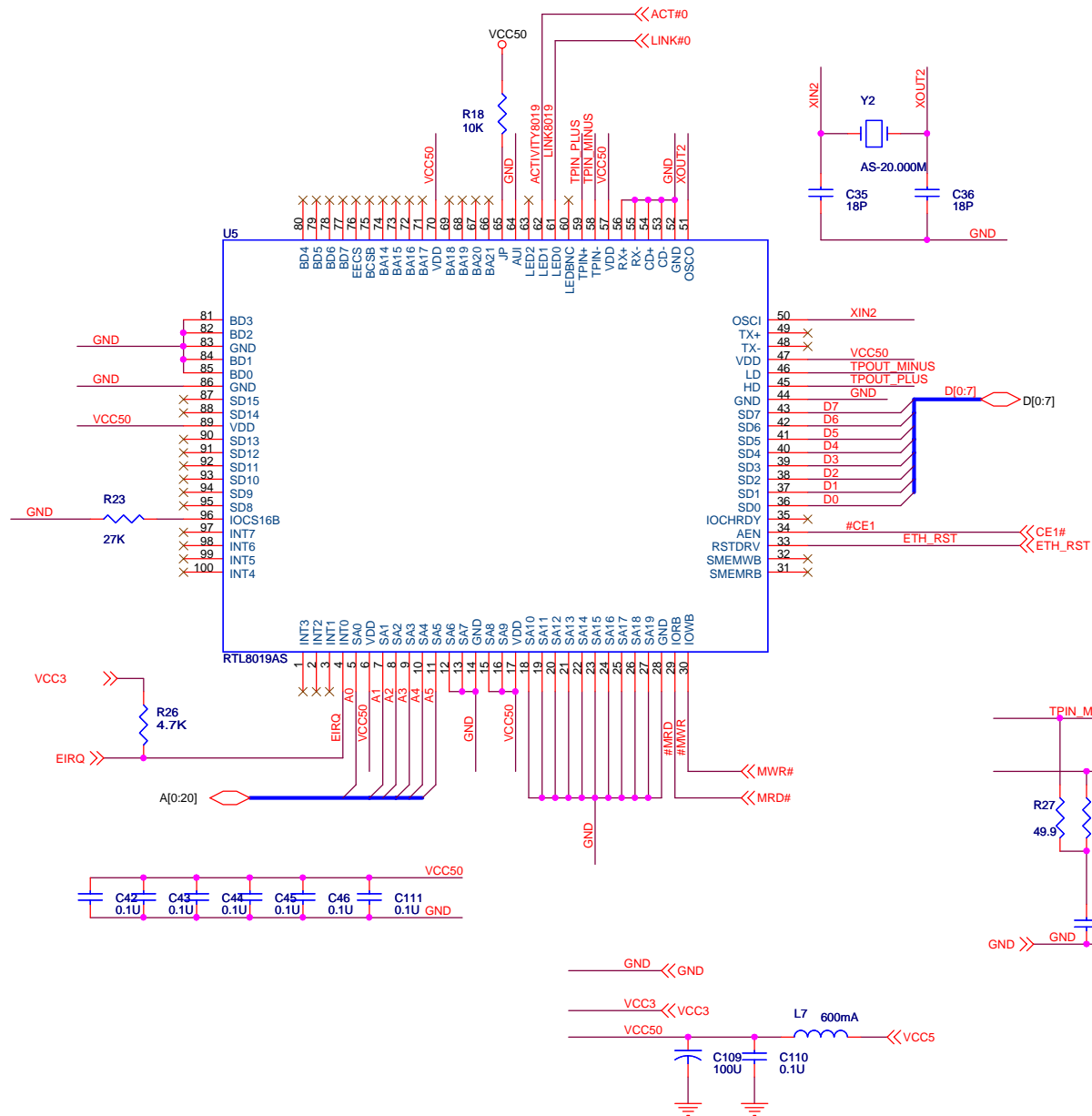


Title		
PalmMicro IP Phone Solution		
Size	Document Number	Rev
B	SOC	2.00
Date:	Friday, June 01, 2007	Sheet 2 of 10

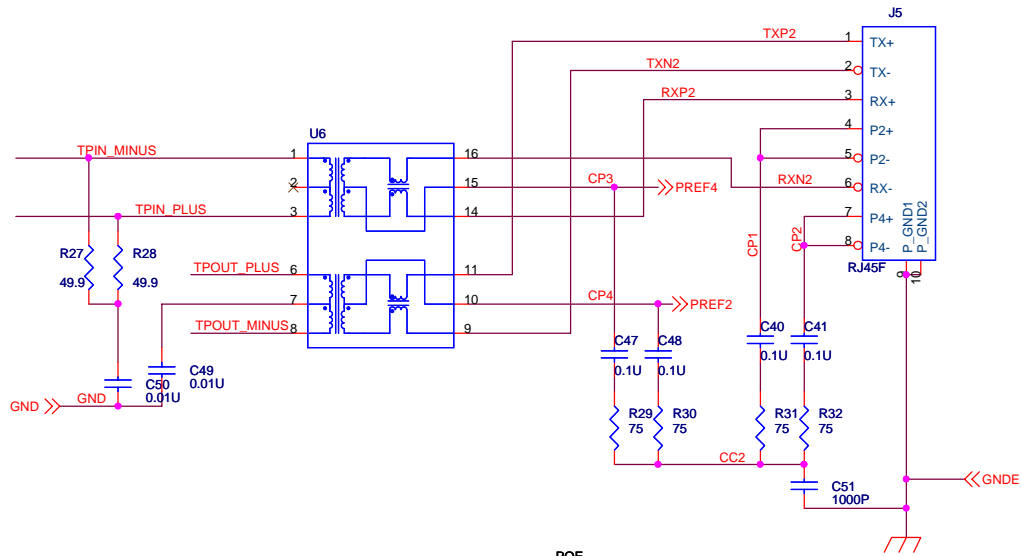
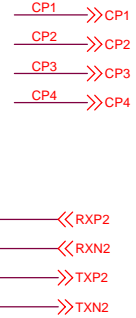


POE

Title		
PalmMicro IP Phone Solution		
Size A	Document Number Flash memory	Rev 2.00
Date:	Friday, June 01, 2007	Sheet 3 of 10



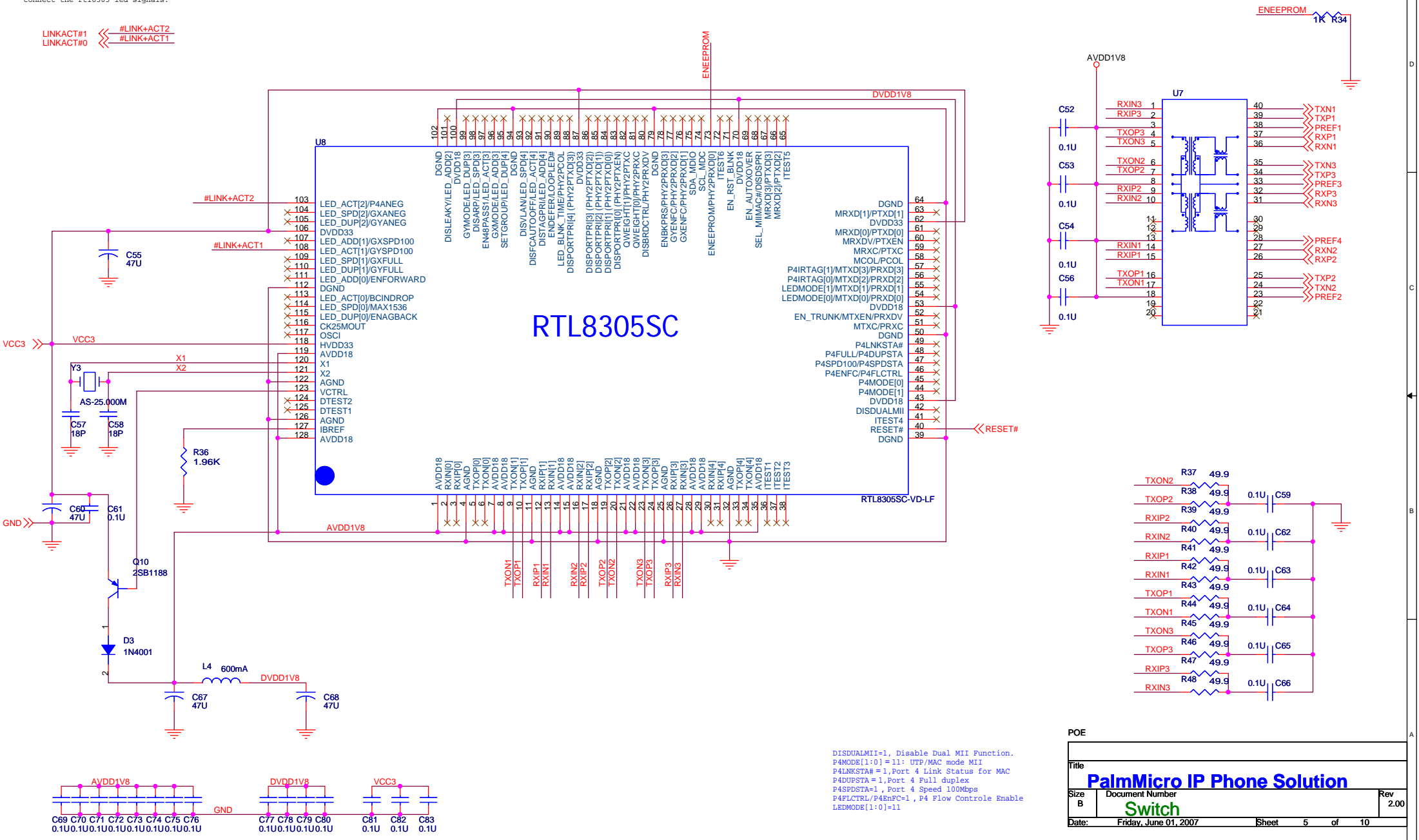
For single ethernet port design, assembly the single port transformer. For double ethernet ports design, assembly the quad ports transformer.



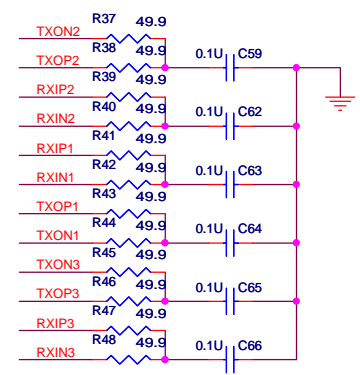
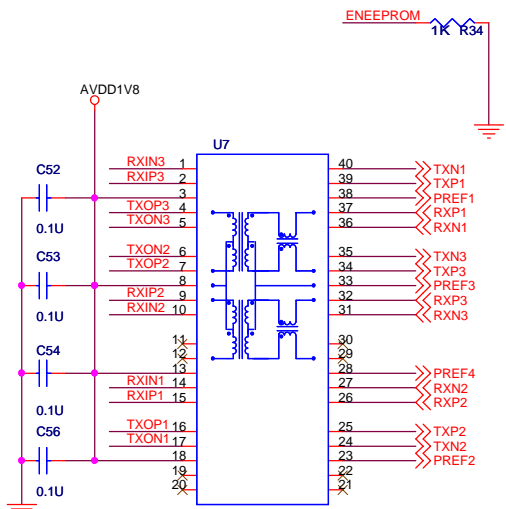
Title		
PalmMicro IP Phone Solution		
Size	Document Number	Rev
B	Ethernet	2.00
Date:	Friday, June 01, 2007	Sheet 4 of 10

For single ethernet port design, connect the rtl8019 led signals.
For double ethernet ports design, connect the rtl8305 led signals.

LINKACT#1 <<< #LINK+ACT2
LINKACT#0 <<< #LINK+ACT1

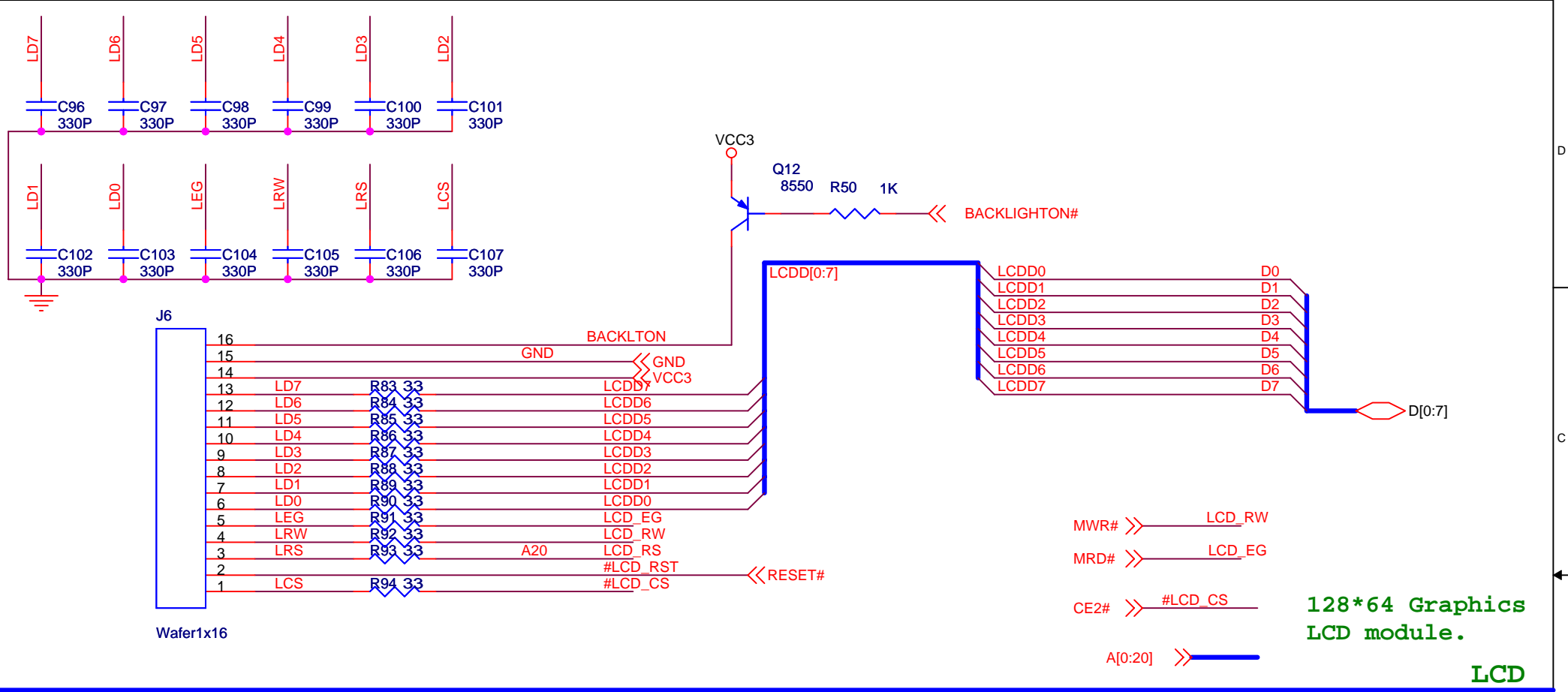


DISDUALMII=1, Disable Dual MII Function.
P4MODE[1:0]=11: UTP/MAC mode MII
P4LNKSTA#=1, Port 4 Link Status for MAC
P4DUPSTA=1, Port 4 Full duplex
P4SPDSTA=1, Port 4 Speed 100Mbps
P4FLCTRL/P4ENPC=1, P4 Flow Control Enable
LEDMODE[1:0]=11



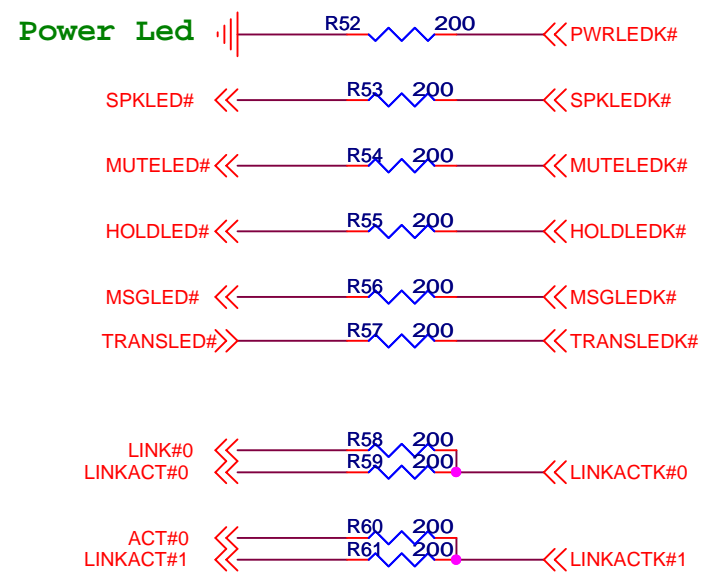
POE

Title		
PalmMicro IP Phone Solution		
Size	Document Number	Rev
B	Switch	2.00
Date:	Friday, June 01, 2007	Sheet 5 of 10



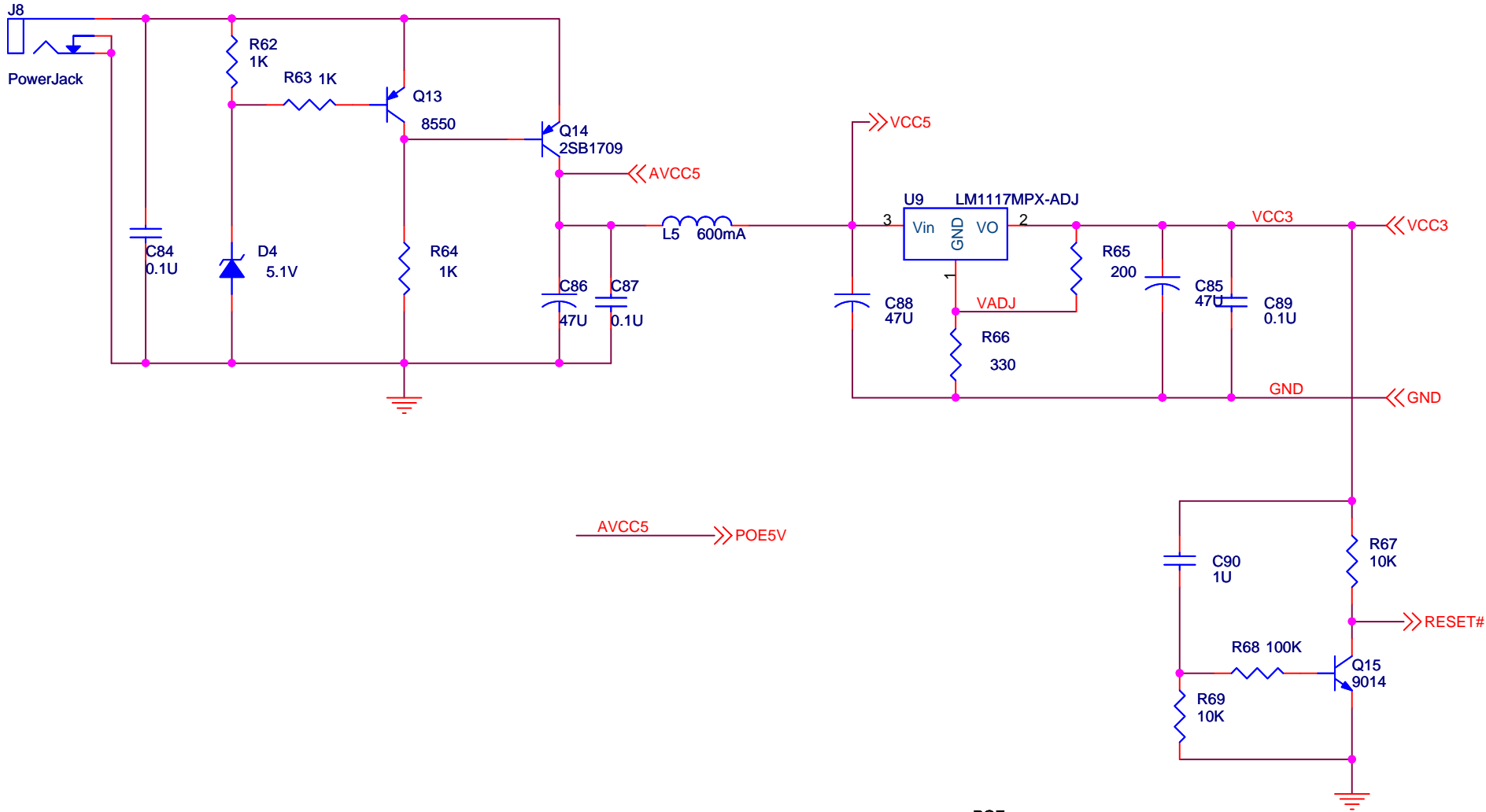
128*64 Graphics LCD module.

LCD LEDs

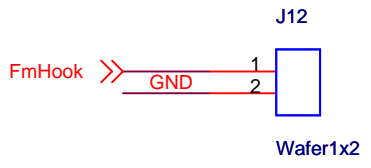
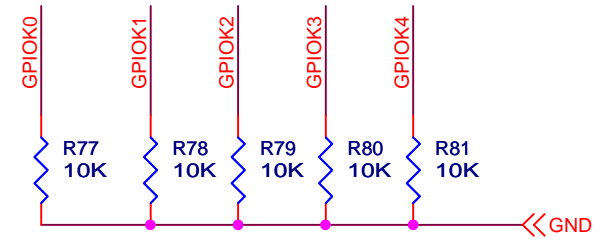
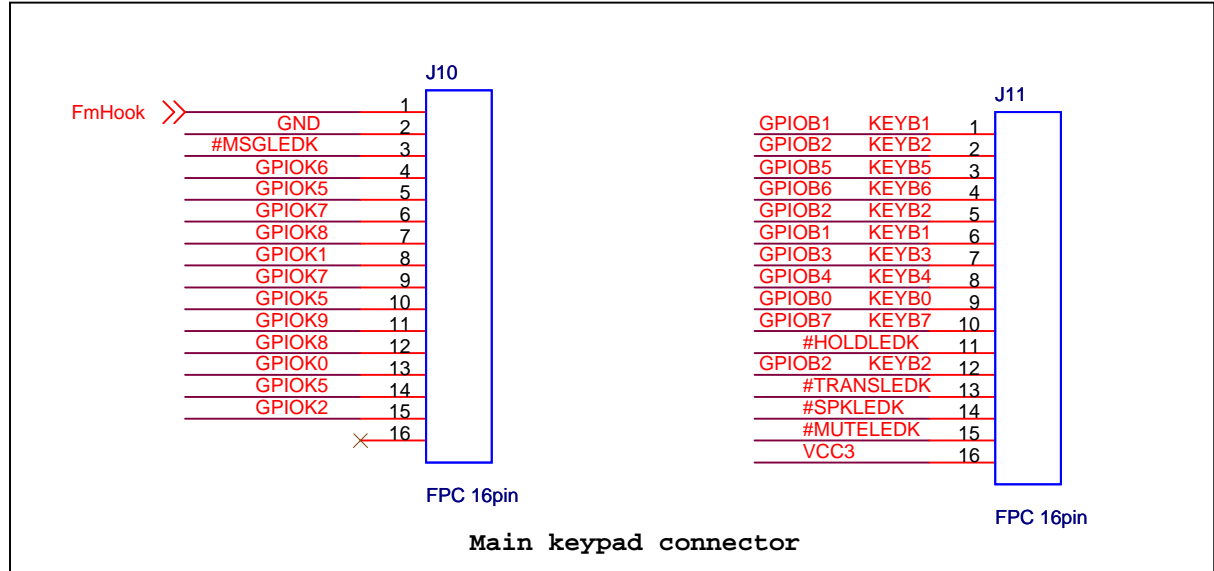
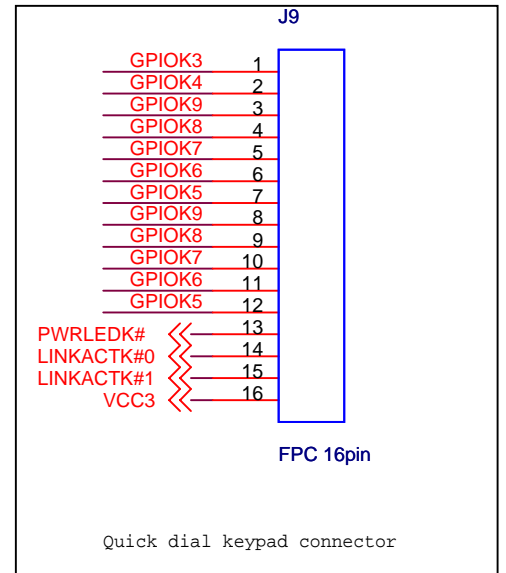
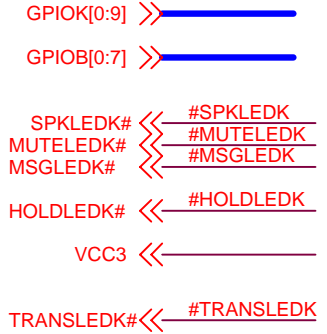


POE

Title		
PalmMicro IP Phone Solution		
Size A	Document Number	Rev 2.00
	Display	
Date: Friday, June 01, 2007	Sheet 6 of 10	

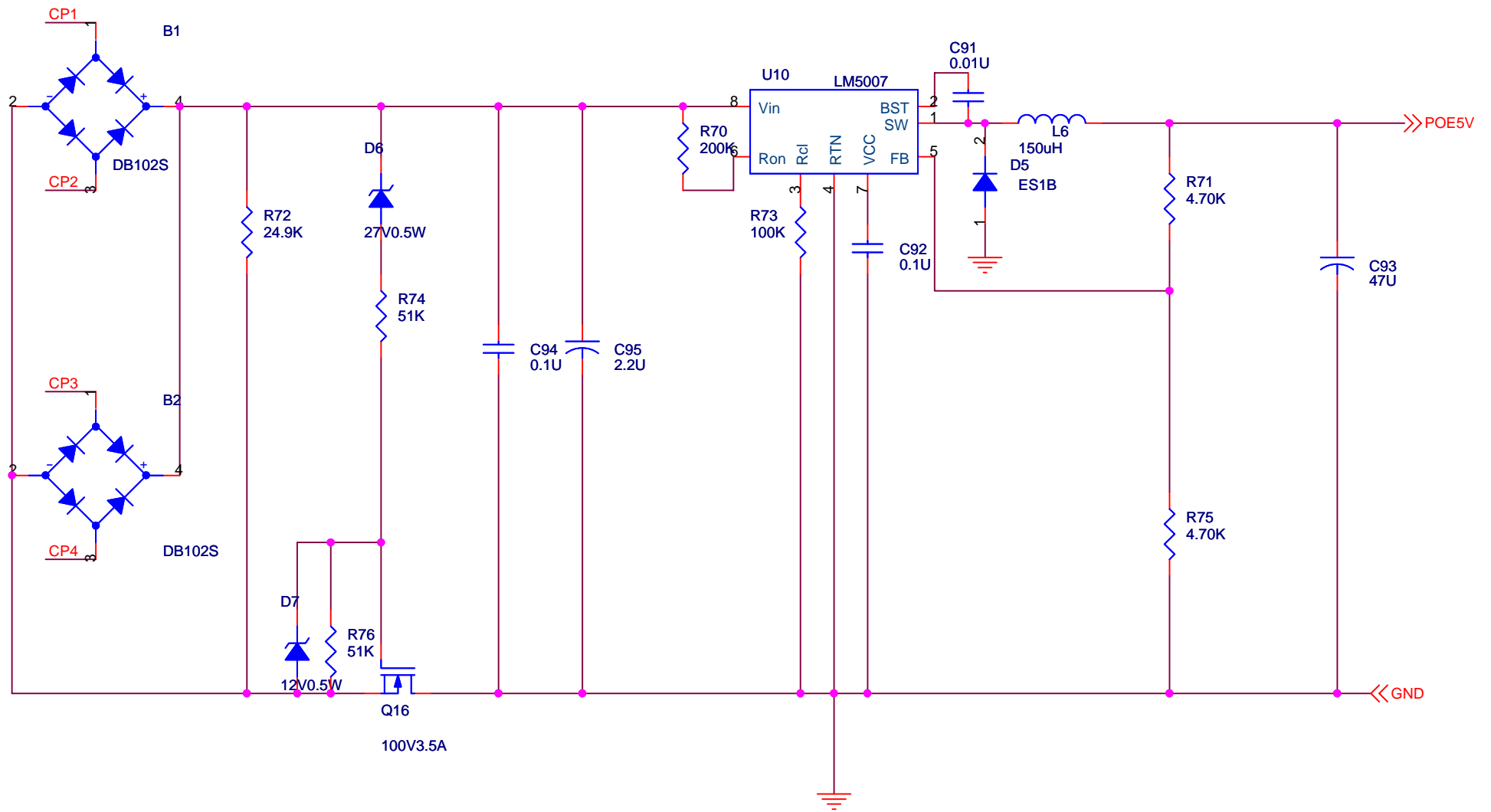


POE		
Title		
PalmMicro IP Phone Solution		
Size	Document Number	Rev
A	Power and Reset	2.00
Date:	Friday, June 01, 2007	Sheet 7 of 10



POE

Title		
PalmMicro IP Phone Solution		
Size A	Document Number	Rev 2.00
	Keypad	
Date: Friday, June 01, 2007	Sheet 8 of 10	



- CP1 >>> CP1
- CP2 >>> CP2
- CP3 >>> CP3
- CP4 >>> CP4

POE

Title		
PalmMicro IP Phone Solution		
Size A	Document Number PD	Rev 2.00
Date:	Friday, June 01, 2007	Sheet 9 of 10

